

A Study on Dimensional Variations in Commercial Cultivator Tines and Reversible Shovels in Comparison to BIS Norms

Abstract

Accelerated demand for farm equipment has encouraged many producers to initiate production of farm machinery. Bureau of Indian Standards (BIS) provide standards for cultivators but commercial agricultural machinery manufacturers design based on trial and error basis without knowing the concept of optimization, which in turn leads to unnecessary design and cost and also affects equipment performance. With respect to this, study was undertaken to check the dimensions of commercially available cultivator tines (Rigid and spring) and reversible shovels. Based on the usability and availability commercially available rigid and spring cultivator tines and also reversible shovels were selected by conducting survey around Udaipur region. The dimensions of selected cultivator tines and reversible shovels were measured by using vernier calliper and measuring tape. The dimensions of selected rigid and spring cultivator tines found almost higher values as compared to BIS recommended value. Also among shovels, shovel 1 (Sh₁) and shovel 2 (Sh₂) measured higher values as compared to BIS recommended value, whereas shovel 3 (Sh₃) found minimum values as compared to BIS recommended value.

Keywords: farm machinery, rigid tine, spring tine, reversible shovels, BIS.

1. Introduction

The agricultural mechanization sector is significantly influenced by farm machinery and the methodology associated with its use (Oduma *et al.*, 2019). To increase agricultural productivity against the backdrop of limited resources and climate change, a sustainable agricultural approach is required (Jyoti *et al.*, 2019). Farm machinery is a key driver of agricultural productivity. Indian agriculture has seen exponential growth in the mechanization of farms (Verma and Guru, 2014). It leads to a timeliness that also increases productivity and income in turn. Farm machines supplied to the farmers must ensure functional and life reliability. For this, testing of machines according to a well-established standardization procedure is important (Sahay, 1971). Accelerated demand for farm equipment has encouraged many producers to initiate production of farm machinery. With heavy investment on farm machinery, it is necessary to have some means of assessing the performance of machines being brought out by the various manufacturers before being used by the farmers (Anonymous, 2017).

Cultivator is an implement which is used for both primary and secondary tillage farm operations by the Indian farmers. There are various types of tractor operated cultivator available in India, namely rigid tine cultivator and spring tine cultivators. Also, depending upon the type of soil and crop, the shovels are used as the working tool in the cultivator (Sahay, 1971). Bureau of Indian Standards (BIS) provide standard dimensions for cultivators but commercial agricultural machinery manufacturers design based on trial and error basis without understanding the concept of optimization, which in turn leads to unnecessary design and cost (Badegaonkar et al., 2010), it also affects equipment performance, leading to excessive operating cost and in turn being a burden on farmers.

Studying and providing the possible information on the dimensions of commercially available implement is very necessary in order to reduce the energy requirement, excessive design and cost and also to improve the performance of the implement. In view of the above, present study was undertaken to check the dimensions of selected commercially available cultivator tines and reversible shovels.

2. Material and Methodology

The survey was conducted around Udaipur region for the selection of commercially available rigid and spring cultivator tines and also reversible shovels to determine the performance under controlled conditions and also to do the comparison with the dimensions of BIS standard cultivator tines and reversible shovels. Based on the usability for the various farm operations and availability around the region two types of cultivator tines such as rigid tine (CT₁) and spring tine (CT₂) were selected. Also based on the type of soil, three different types of commercially available reversible shovels (Sh₁, Sh₂ and Sh₃) were selected. The dimensions of selected cultivator tines and reversible shovels were measured by using vernier calliper and measuring tape.



Rigid tine (CT₁)

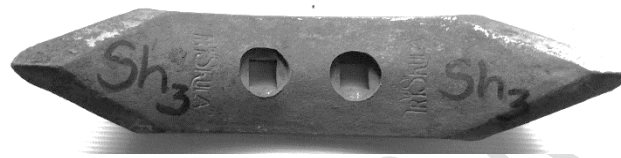


Spring tine (CT₂)



Shovel (Sh₁)

Shovel (Sh₂)



Shovel (Sh₂)

Fig. 1: Selected commercially available cultivator tines and reversible shovel

2.1. Dimensions of cultivator tines as per BIS codes

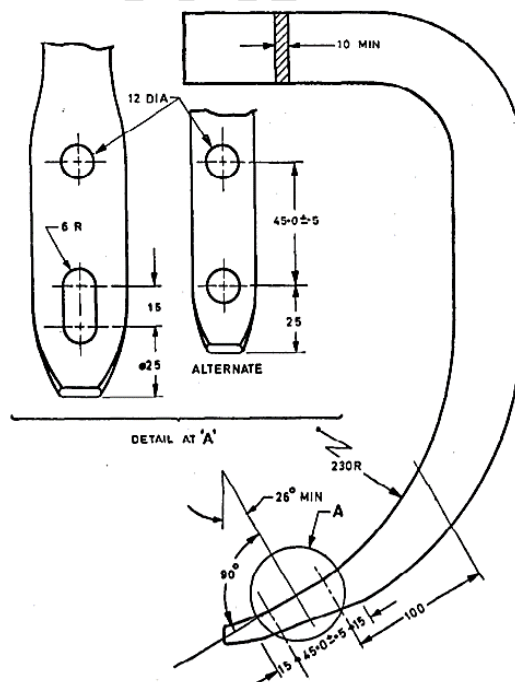


Fig. 2: Dimensions of tine as per BIS code IS: 7565 (1) -1975

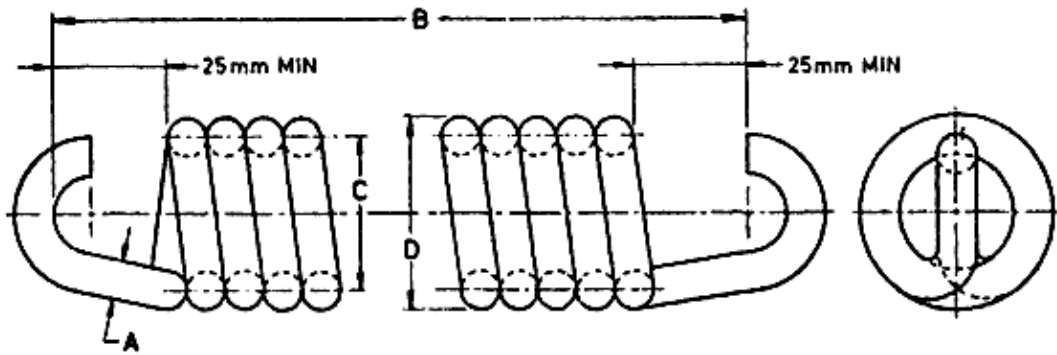


Fig. 3: Dimensions of spring as per BIS code IS: 6638-1972

2.2. Dimensions of reversible shovels as per BIS code IS: 3342-1998

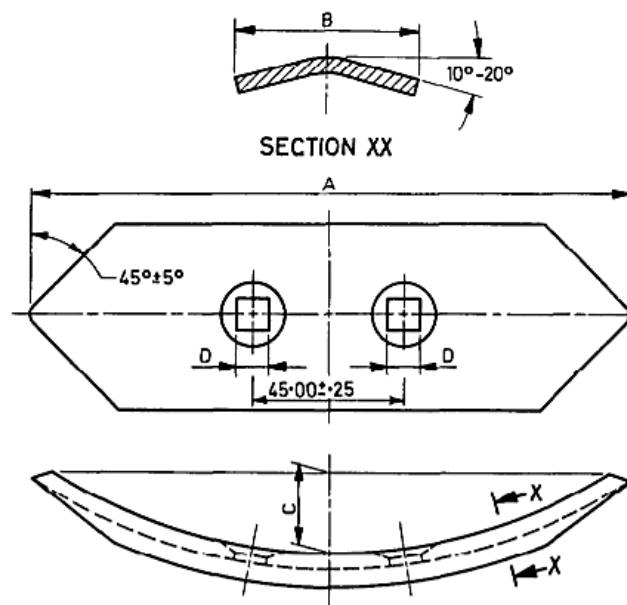


Fig. 4: Dimensions of reversible shovel as per BIS code IS: 3342-1998

Table 1: Dimensions of tine as per BIS code IS: 7565 (1) -1975

Sl.no	Parameters	BIS dimensions
1.	Length, mm	600
2.	Width, mm	60
3.	Thickness, mm	25
4.	Diameter of holes, mm	12
5.	Centre to centre distance between holes, mm	45±0.5

Table 2: Dimensions of spring as per BIS code IS: 6638-1972

Sl.no	Parameters	BIS dimensions
-------	------------	----------------

1.	Wire diameter (A), mm	8
2.	Length of spring (B), mm	300
3.	Outside diameter of spring (D), mm	50
4.	Number of coils	27-28
5.	Number of spring per tine	1 or 2

Table 3: Dimensions of reversible shovel as per BIS code IS: 3342-1998

Sl.no	Parameters	BIS dimensions
1	Length (A), mm	270 ± 2
2	Width (B), mm	75 ± 2
3	Concavity (C), mm	35 ± 1.6
4	Centre to centre distance (E), mm	45 ± 0.25
5	Hole diameter (D), mm	15 ± 0.5

3. Results and discussion

a. Cultivator tines

The dimensions of selected cultivator tines and reversible shovels were assessed by using the measuring tape and vernier calliper. The obtained results were compared with the respective BIS codes.

The chosen rigid cultivator tine (CT₁) had a dimensions of 600×62.27×20.35 mm and spring cultivator tine had 550×165×21.92 mm (Figures 5 and 6).

The length of selected rigid cultivator tine was found as same as BIS recommended value. Likewise, width was found 3.78 per cent wider and thickness was found 22.85 per cent minimum as compared to BIS recommended value. Similarly, spring cultivator tine measures dimensions which were comparatively varied with BIS recommended values (Table 4).

b. Spring

Spring in the selected spring cultivator tine had a dimensions mentioned in Table 4. Length was found 55.6 per cent longer than BIS recommended spring length. Also wire diameter and outside diameter were found 2.56 and 4.16 per cent smaller than BIS recommended values. The selected spring consists of 27 number of coils and 2 springs per tine, which were almost similar to BIS recommended values (Table 5).

c. Shovels

- Length, width and thickness

Among shovels, shovel 1 had higher dimensions compared to shovel 2, shovel 3 and BIS standard. Sh₁ and Sh₂ were 25.9 and 14.8 per cent respectively longer and Sh₃ was 8 per cent shorter than BIS recommended values. Likewise, Sh₁ was 6.6 per cent wider, whereas Sh₂ and Sh₃ were 7.1 and 13.3 per cent respectively narrower than BIS recommended value. Also, Sh₁ was thicker than Sh₂, Sh₃ and BIS recommended value (Table 6 and Figure 7).

- **Concavity**

Sh₁, Sh₂ and Sh₃ measured higher concavity of 100, 114 and 57 per cent respectively than BIS recommended value (Table 6 and Figure 7).

- **Hole diameter**

The hole diameter of Sh₁, Sh₂ and Sh₃ measures minimum of 22.95, 28.2 and 14.35 per cent respectively than BIS recommended value (Table 6 and Figure 7).

- **Centre to centre distance between holes**

The centre to centre distance between holes found same as BIS standard value (Table 6 and Figure 7).

Table 4: Dimensions of selected cultivator tines

Tine	A ± 2	B ± 2	C ± 2	D ± 2	E ± 0.5	F ± 0.5
CT ₁	600	62.27	20.35	430	12	45
CT ₂	550	165	21.92	715	14	46
A- Length (mm), B- Width (mm), C-Thickness (mm), D- height (mm). E- Diameter of holes (mm)F- centre to centre distance between holes (mm)						

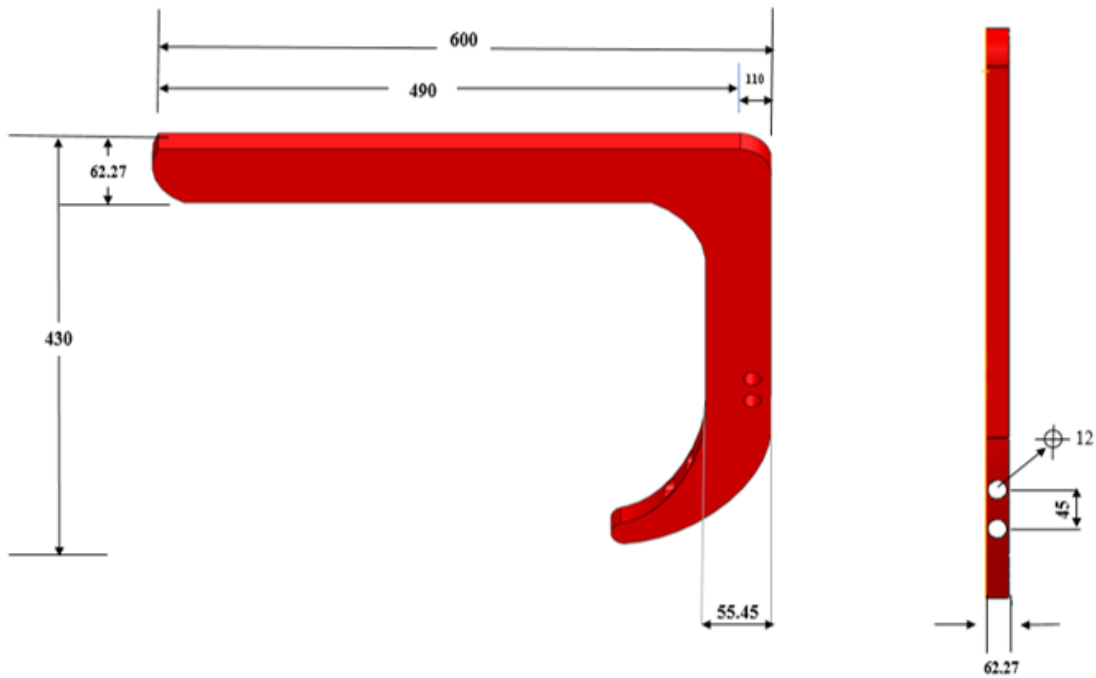
Table 5: Spring dimensions of selected spring cultivator tine.

Sl.No.	Parameters	Dimensions
1.	Wire diameter (A), mm	7.8
2.	Length of spring (B), mm	467
3.	Outside diameter of spring (D), mm	48
4.	Number of coils	27
5.	Number of spring per tine	2

Table 6: Dimensions of selected reversible shovel

Shovel	A ± 2	B ± 2	C ± 2	D ± 0.5	E ± 0.5	F ± 1
Sh ₁	340	80	10.30	12.20	45	70

Sh₂	310	70	10	11.70	45	75
Sh₃	250	65	8.15	13.12	45	55
A – Length (mm), B- Width (mm), C- Thickness (mm), D- Hole diameter (mm) E- Centre to centre distance between holes (mm), F- Concavity (mm).						



All dimensions are in mm

Fig. 5: Dimensions of selected rigid cultivator tine

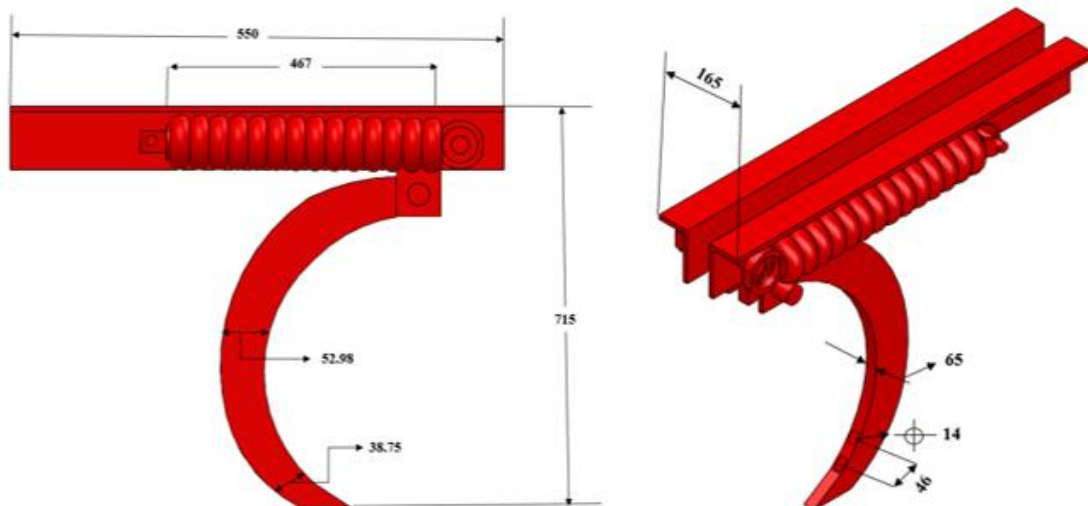


Fig. 6: Dimensions of selected spring cultivator tine

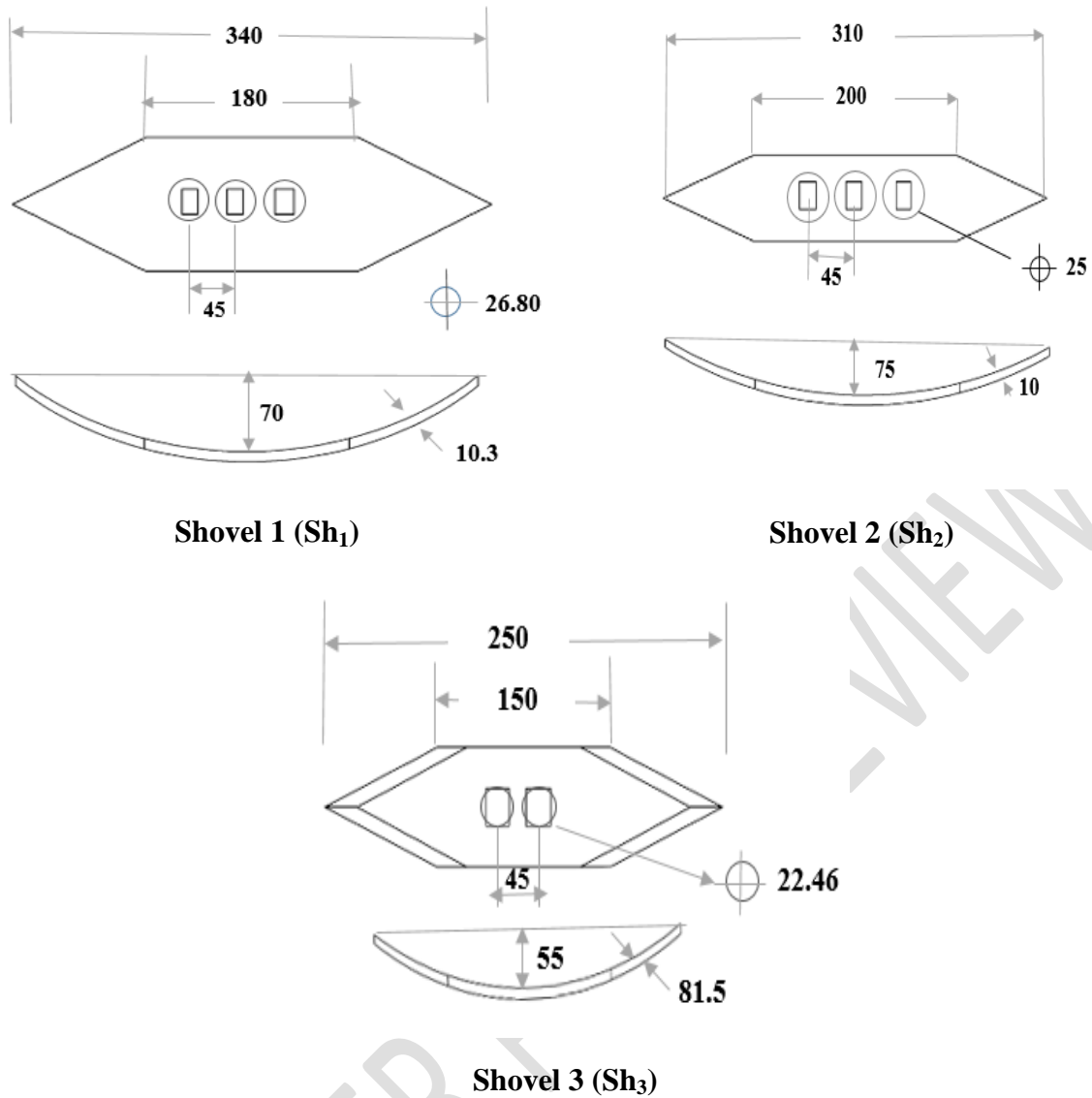


Fig. 7: Dimensions of selected reversible shovels

4. Conclusion

The dimensions of selected rigid and spring cultivator tines vary significantly higher amount as compared to BIS recommended values with respect to all dimensional parameters. Also, spring dimensions in selected spring tine found higher values as compared to BIS standard values. Among shovels, Sh₁ and Sh₂ found higher and Sh₃ found lower values as compared to BIS standard value. The obtained results shows that, excessive or unwanted design of the tines and shovels, which cause excessive manufacturing cost and also it may be affects performance of tools in terms of draft and energy requirement.

My only suggestion for this paper is that if possible kindly add the weight of shovels, tines under testing in tables and if we have standard weight as per BIS codes so that we can compare % more weight in manufactured shovels, tines etc which will add on to tractor draft. If we don't have weight in BIS codes, please mention weight of shovels, tines in a separate table alongwith material.e Mild steel, etc. That will be sufficient. This for better readability of audience. Rest is fine.

References

- Anonymous. 2017. Guidelines & regulations of testing of farm machinery. https://www.iari.res.in/files/Farm_Machinery/Test_Guidelines.pdf
- Badegaonkar, U.R., Dixit, G. and Pathak, K.K. 2010. An experimental investigation of cultivator shank shape on draft requirement. *Archives of Applied Science Research* **2**: 246-255.
- Jyoti1, B., Ram Reddy, K.V.S., Sawant, C.P., Pandirwar, A.P., Potdar, R.R. and Randhe, R.D. 2019. Predicting draft requirement of tillage implements using pull type loadcell in southern region of Andhra Pradesh, India. *International Journal of Current Microbiology and Applied Sciences***9**: 606-612
- Oduma, O., Oluka, S.I., Nwakuba, N.R. and Ntunde, D.I. 2019. Agricultural field machinery selection and utilization for improved farm operations in South-East Nigeria- A review. *Agricultural Engineering***3**: 44-58
- Sahay, J. 1971. Text book of Elements of agricultural engineering. *Standard publisher's distributors*. New Delhi. India pp: 3-4
- Verma, A and Guru, P.K. 2014. Development and evaluation of cultivator cum seed Drill. *Article in Ecology, Environment and Conservation* **21**: 1359-1364.