

Development of a SmartAir Quality Monitoring System

Abstract

The aim of this research is to design an air quality monitoring system that can be accessed via the LCD screen, web and smartphone. The process of developing this system involves, the circuit design and operation, PCB fabrication, firmware development, mobile app development, cloud server setup and integration. On completion of the setup, the next step was the testing and calibrating of the system. The results of experiment show that the system is able to detect air quality in parts per million (ppm), with other environmental factors such as temperature and relative humidity.

Keywords: Air quality, Internet of things, MQ 135 sensor, relative humidity, temperature

1.0 Introduction

An atmosphere free of pollution is pivotal to the environment, plants, animals and human health. Any alteration in the natural composition of air has detrimental consequences on humans, animals, plants, economic growth, social wellbeing and the environment around us [1,2]. The biggest problem of every nation, developed or developing, is air pollution. It emanates from natural and human activities and grows rapidly due to motorization, construction, mining, agriculture, gas flaring, industrialization, deforestation and population increase [3-6]. The result of these activities is the release of gaseous emissions and particulate matter that contaminates the air and these include ground-level Ozone, Methane, SO₂, CO, CO₂, NO₂, PM, and Pb [7-9].

The rise in health-related issues has necessitated the importance of monitoring air quality and has led to several inventions for real-time monitoring of air quality [10-14]. The authors in [15] proposed a low-cost air sensing model based on IoT, to monitor air quality over a cloud-based platform that will trigger

Comment [H1]: The title is good though many similar previous research with nearly the same Title exist by just a mere Google search.

Comment [H2]: The following should be done in this abstract:-

1. It should be written in past tense since it reports what was done in this research.

2. It should be more specific, comprehensive and highly summarized to reflect (what the research was about, what the problem was, what the objectives were, what methods were used, what results were got, how do the results compare with existing results of other systems, what conclusions can be drawn from these results.

3. Below are particulars of a similar paper (by: *Yaeseul Sung, Seungmin Lee, Yeonkyung Kim, Hanbai Park* and Titled: **Development of a Smart Air Quality Monitoring System and its Operation**) whose abstract is well written and worth comparing to what the author did in this research.

Vol. 13, No. 1, pp. 30-38, March 2019
doi: <https://doi.org/10.5572/ajae.2019.13.1.030>
ISSN (Online) 2287-1160, ISSN (Print) 1976-6912

"ABSTRACT Indoor air quality control becomes a critical role in protecting human life due to a significant increase in indoor living time with industrial development. However, air purifier and ventilation systems are installed in many indoor places, and qualities of air are not guaranteed without effective monitoring systems. In this study, we developed a smart indoor air quality monitoring device, measuring components of PM10, PM2.5, PM1, CO, CO₂, VOCs, temperature and humidity. The smart air quality monitoring system is commutated with a developed smartphone application using short and long distance communication modules. The smart application basically provides air quality information (daily, monthly, yearly), air management methods, and emerging environmental issues. For the system verification, we tested the developed air quality monitoring system with other reliable measuring devices. As results, the gaps between our developed system and other reliable measuring devices are PM10 (±4%), PM2.5 (±4%), CO (±1%), CO₂ (±1%), VOCs (±2%), temperature (±1%) and humidity (±2%). We found that the developed smart air quality monitoring system is sufficiently reliable comparing to other measuring devices. Therefore, the smart air quality monitoring system would help improve indoor air quality in real time and can be used for future air quality prediction"

4.

Comment [H3]: This statement needs to be supported more with empirical evidence by the author. The author should cite references to backup such an assertion.

an alarm whenever the air quality goes above the recommended threshold. With the use of MQ135 gas sensor, LPG, SO₂, NO₂, smoke and CO₂ gas were monitored. Data collected were stored in ThinkSpeak API via ESP8266 wireless module. The monitored air quality were displayed in parts per million on the internet-based platform for ease of monitoring. In [16], a novel approach to measure indoor CO₂ using MH-Z19 NDIR infrared gas module was presented. This system was developed using an Arduino Uno microcontroller interfaced with the LCD1602. The microcontroller is connected to MH219 and AM2302 sensors to measure CO₂, temperature and relative humidity respectively. At every five minutes interval, the collected data is displayed on the LCD screen in the form of line chart.

An air quality monitoring system using a Wireless Sensor Network (WSN) to monitor air pollution like NO_x, SO₂, CO and other environmental factors such as relative humidity, temperature and wind speed was put forward by [2]. The WSN was developed by assembling sensor nodes and hosting a web server. The system was made up of 3 sensor nodes, each placed on a pole at a different height level. Each sensor node consists of ADC5669 16 Bit 8 channel, power supply, Mobile Wi-Fi (MiFi) and five sensors, one each for measuring SO₂ (MQ-136), NO_x sensor, CO sensor, air temperature and humidity (SHT15) and wind speed (anemometer). The sensors measured data in analog, except for digital data measurement from the SHT15 sensor. Analog data were converted into digital data by 16-bit ADC, then transmitted to Web Server by Wi-Fi. Data from the three sensor nodes were displayed in the form of graphs and tables through a web server and accessed online in real-time through smartphones. Using MQ135 sensor, an IFTTT application, an ESP8266 Wi-Fi enabled chip and a NodeMCU V1.0 microcontroller, [17] constructed a smart air pollution monitoring system. The gas sensor was used in monitoring the concentration of SO₂, NO₂, CO₂ and CO in the air. Data was transmitted via the microcontroller to the internet, through the Wi-Fi enabled chip. Whenever the pollution level of each measured pollutant exceeded the threshold level, an alert message was sent to the user via the IFTTT application. To build-up security in the server, AWS IoT device SDK was used to authenticate messages over the internet

network. The advantage of this system was that, whether the system is connected to the internet or not, alerts sent by the system were received by the user on mobile phone from any distance.

For adequate environmental and health protection, an effective air quality monitoring system is a necessary instrument. This creates a need for measurement and analysis of real-time air quality monitoring so that appropriate decisions can be taken by scientist, policy makers and residents in a timely period for the improvement of the living environment [18,19]. This research proposes a smart air quality system for real-time monitoring of air quality in Nigeria. The proposed system is necessary as an alternative solution to quashing the hurdles experienced by air quality monitoring stations in Nigeria, either due to the absence or damage of equipment.

1.1 Statement of the Problem

The fourth most polluted country in the world is Nigeria. In Bayelsa State, for instance, air pollution causes 4960 respiratory ailments in children, 120 asthma attacks and 49 premature deaths yearly [20]. According to WHO report, millions of people die yearly because of breathing disorders emanating from air pollution and 90% of the world's population are exposed to high level of pollutants which exceed WHO limits [6]. The harmful effects of air pollution have become evident, yet in Nigeria, we do not have access to real-time air quality data. Air quality monitoring systems in Nigeria are all imported and very costly and once ~~there they~~ are faulty, ~~it is they are~~ abandoned. Most air quality systems are launched into space and data collected by such systems are predicted since measurement is not done in situ. Meaningful action against air pollution implies controlling health-related consequences and this begins with sound research and meaningful data. The objective of monitoring air quality is to deliver actionable data and to make the information available to the public, policy makers, scientists, and planners to allow them to take necessary steps to manage and improve the environment. This research proposes an IoT-based system for real-time monitoring of air quality in Nigeria.

Comment [H4]: All the Systems or Technologies the author cited in this section appear to be very good and applicable.

Since this is so, I propose that the author should go ahead and give grounded reasons on each of them as to why they can't be directly used hence coming up with a new System that is trying to do the same thing like what these cited Systems and Technologies already do.

It's better for the author to justify why the existing Systems cannot be used to solve the proposed problem, otherwise it looks as if many technologies are already developed and in use as cited by the author in this section.

Comment [H5]: These figures are good for the reader though they are not the actual problem that should be stated. The author **should concentrate on what is wrong with the existing technologies** by giving what they do and exposing their weakness via statistics.

Comment [H6]: Its better if the author goes ahead to give the statistics of how many people can or can't access air quality information by exposing the weakness of the existing technologies.

Comment [H7]: More information and reference would be good if the author can tell statistically how much do these technologies cost, say in US Dollars compared to the GDP of the Nigerian population but also expose the technological challenges of these imported Systems.

Comment [H8]: These seem not to be a problem hence can actually be removed from this section. The almost appear as **justification** to this research that a problem statement.

2.0 Methodology

To develop this system, the above stages were utilized; the circuit design and operation, PCB fabrication, firmware development, mobile app development, cloud server setup and integration. The above listed steps will lead to the IoT air quality system.

Comment [H9]: Which ones? It's not clear which stages the author is referring to.

Comment [H10]: Use a proper tense

2.1 Circuit Design and Description

The circuit diagram of the air quality monitoring system is shown in figure 1. The heart of the system is based on printed circuit board (PCB) that supports high end microcontroller. The sensors communicate with the system serially, using serial communication protocol based on I²C communication protocol, so that the serial clock (SCL) sensor modules and serial data (SDA) pins wires to the corresponding I²C pins on the PCB. The sensors run on 3.3V and 5V DC, so its V_{CC} pin would go to the 5V output on the PCB and the GND pin. The sensor interfaces with the system and communicates with the controller through a serial interface that works at 5V logic level, while the RX logic level works at 3.3V. The touch display uses serial communication while two transistors are used in switching the sensor heaters. A real time clock module keeps track of the time when storing the sensor values using the I²C communication protocol. The entire device is powered with 5V through a custom-made power supply.

Comment [H11]: I suggest that a more technical word be used

Comment [H12]: Correct the grammar

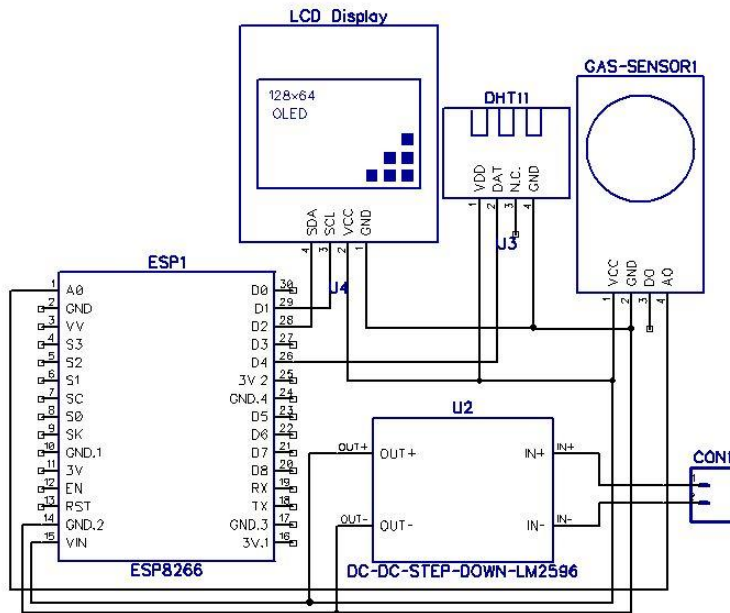


Figure 1: Circuit Diagram of Smart Air Quality monitoring system

The **heart** of this system is based on ESP8266 embedded WIFI Module that runs on 5V DC source. Power supply for the system is derived from a fabricated DC-to-DC converter module capable of supplying up to 5V, 2amp DC. A step-down DC-to-DC converter module is used in the system to allow a wide range of DC source.

Formatted: Font color: Red

The sensors are connected to the ESP8266 Wi-Fi module for data exchange in digital and analog form. V_{CC} and the ground pin of the sensors connect to the 5V and ground terminal of the power supply circuit, while the analog pin of the MQ135 gas sensor is connected to the analog-to-digital converter pins of the Wi-Fi module. Connected to digital pin D4 of the ESP Wi-Fi microcontroller module is the DHT11 temperature/relative humidity sensor. In place of a buzzer, a push notification feature has been added to the system to allow notifications to be sent out when air quality is above the WHO recommended threshold level.

The LCD display is connected to the ESP module using serial communication based on I²C protocol, while power supply pins of the LCD display are connected to the appropriate supply lines to enable the correct supply to be sent to the display. Screen contrast of the LCD would be handled and managed through software.

Power supply of the entire system is derived from custom design standalone power supply with support for solar renewable energy. Data pins used in communicating with the ESP8266 WIFI microcontroller development board are; pin D4, connected to data pin of the temperature/relative humidity sensor; pin D1, D2 of the ESP module connects to SDA, SCL of the serial LCD module while pin A0 of ESP8266 module is connected to the analogue pin of the MQ 135 gas sensor module.

2.2 Designing of Schematic, Layout Diagram and PCB Production

As a design requirement, the circuit was first developed and simulated using proteus and multism. These programs aided the simulation of the project before it was implemented, making it easier to ascertain, do corrections and take decisions before final implementation.

The program used in creating both the PCB and schematic diagram for the developed air quality system were Dip Trace, Eagle schematic capture program and Altium designer.

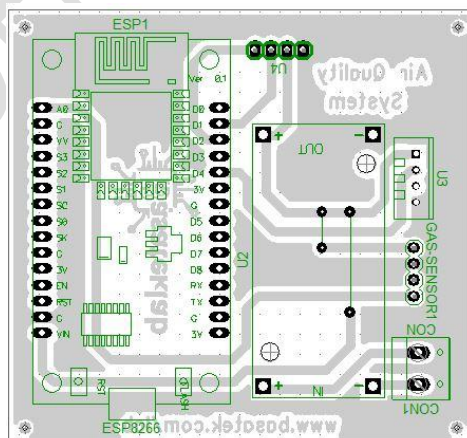


Figure 2: PCB layout Diagram of Air quality monitoring system

After designing the schematic diagram, it was converted to PCB art work. The converted PCB artwork was then printed into a special PCB printing film (Press n Peel sheet), a transfer film used in printed circuit board production.

2.3 System Operation

The device ~~take~~ takes readings from its sensors and sends the data to an android device via WiFi in every 5 seconds, using a third-party mobile App, Blynk. The device sensor detects and measures the air quality, temperature and relative humidity and communicates with the ESP WIFI module via internet to access the Blynk server so as to display the air quality information. All measured data from the sensors are sent through The Blynk server for easy access. The device supports 16x2 character serial LCD display that displays the sensor data sent to the mobile device through the Blynk Mobile App. A gauge gadget in the Blynk mobile app displays a user-friendly result of the air quality data during operation. The LCD display also shows data sent to the mobile device.

In operation, the Blynk mobile app in the android device displays the air quality and timestamps the received data, then sends them to the Blynk server to be stored in a database. When a user opens the Blynk Mobile App, the application reads from the database and visualizes the data graphically on the Mobile App. This option allows for the access of read data to be seen and accessed anywhere in the world. It uses air quality sensors to collect data and a WiFi connection to send them to the cloud server which in turn display the sensor data on the android device.

Sensor readings are taken every 1 or 2 seconds and passed through low-pass filters to reduce data noise. Every 5 seconds, filtered values are sent to the mobile device via WiFi as a JSON string. The Android application takes the received measurements and timestamps to the received data. Then, it sends the JSON string along with the received data to the web server using HTTP protocol. The web server

Comment [H13]: Which parameters are considered in this quality?

Comment [H14]: I think data was being collected not measured

receives and stores the data in a database thus allowing the data to be retrieved when needed. A flowchart and block diagram of the system is given in the figures below.

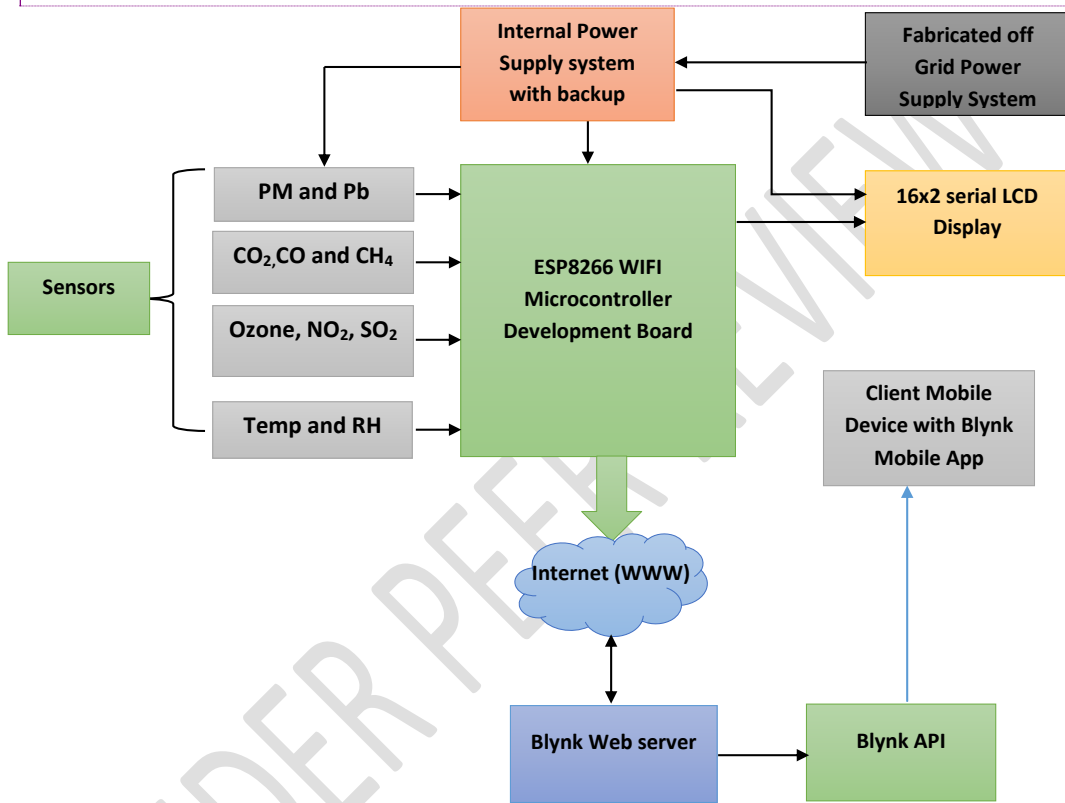
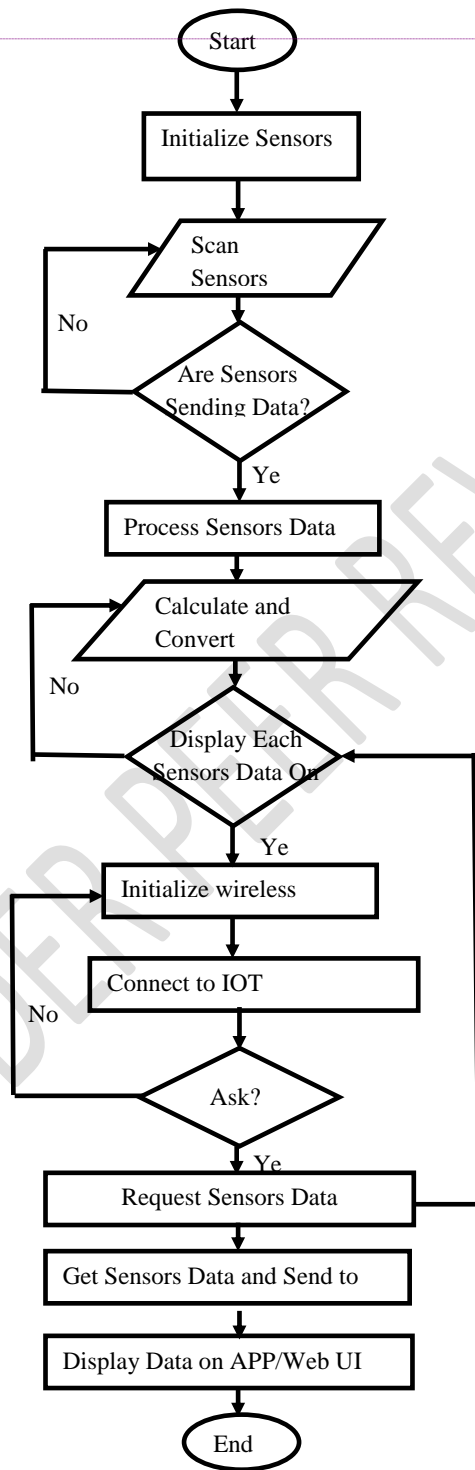


Figure 3: Block Diagram of Air quality monitoring system

Comment [H15]: In Figure 3, what is indicated as Sensors are actually not sensors but the virii (data) that should be sensed. The author should indicate the sensing module and indicate these as inputs instead.

The author should figure out whether the "Internal Power Supply system with backup" and "Fabricated off Grid Power Supply System" should not be combined into one.

In the "ESP8266 WIFI Microcontroller Development Board", the word "...Development.." is a bit confusing, if its removed can the diagram still be valid?



Comment [H16]: This diagram is okay though I note the following:-

1. On step 3 i.e. "Scan Sensors", what exactly scans the sensors? Is it another device that does that? It's well known that sensors are the ones to instead sense/scan for the data. I would instead advise that such a step be removed (or say replace it with "Self Organize") from the diagram unless the author justifies more.

2. On step 7 i.e. "Display Each Sensors Data On", this is not complete, "...On", this step should be inform of a question but not a statement as presented in the diagram.

3. On step 10 i.e. "Ask?", this step is ambiguous, what exactly is being asked?

4. On step 11 i.e. "Request Sensor Data", its not clear what will determine the direction of going forwards or backwards out of this step since its not a decision box.

5. On step 12 i.e. "Get Sensor Data and Send to", is not complete, "...send to" where?

The author should do more by reviewing this entire flow diagram.

Fig 4 Flow Chart for the Developed Air Quality

2.4 Firmware Development

Developing the required firmware for the system ~~involves~~involved the use of an integrated development environment (IDE) based on Arduino IDE. The firmware program ~~allows~~allowed the system to communicate with the sensor, write to the LCD display and interact with the web server. The Firmware program was written in C. In the firmware development, we used MpLab for debugging.

2.5 Android App Development

The mobile App (Blynk) was developed using Android Studio, the official integrated development environment (IDE) provided by Google. The IDE is built on JetBrains' IntelliJ IDEA software and is available for download on Windows-, macOS and Linux-based operating systems.

2.6 Cloud Service Setup

In setting up the cloud service, a Blynk account ~~is~~was created to allow access to the service backend. The HTML/JavaScript frontend for the web application ~~is~~was made to interface with the android application via HTTP protocol. The database used in storing sensor data from the IoT device and the "Plotly" JavaScript library that makes all graphical visualizations in the webpage ~~has been~~was developed.

2.7 Receiving Data from the IoT Device

In receiving data from the IoT device, the code in charge of retrieving the measured data received from the device was written to handle communication. This code is responsible in retrieving the received JSON string known as Callback from the IoT device. This callback is executed when data available in the IoT device to be read by the android device.

2.8 System Interaction with Web Server

For the system to interact with the web server, Every JSON string received from the IoT device is sent to the web server, along with additional data gathered from the mobile device itself. Moreover, the sensor data is downloaded and visualized on the GUIresult screen.

2.9 Testing and Calibration

Testing and calibration of the system was carried out in two stages; hardware testing and software testing.

Hardware testing ~~involves~~involved the testing of all physical hardware including the sensor, power supply and other circuit components. Software testing ~~involves~~involved the writing and debugging of the firmware as well as testing of the system using the Blynk android mobile app codes to ensure that everything corresponds to the technical specification of the system.

3.0 Result and Discussion

Below are component connections inside of air quality system before and after component connection.

After connecting all the components according to the schematic diagram, the firmware program was uploaded to the controller. The uploaded firmware ~~allows~~allowed the system to communicate and interact with the web server in order to read and send the measured data from the sensors.

Comment [H17]: The presented results are too few i.e Temperature and Humidity.

The author would have gone ahead to present more results on the virii (data) that were specified in Figure 3 i.e. PM, Pb, CO₂, CO, CH₄, Ozone, NO₂, and SO₂.

The results were not discussed at all. The author needs to go on and discuss the results and generalize them with results of other already existing Systems or Technologies and show the edge the developed System has over the existing ones.



UNDER PEER REVIEW

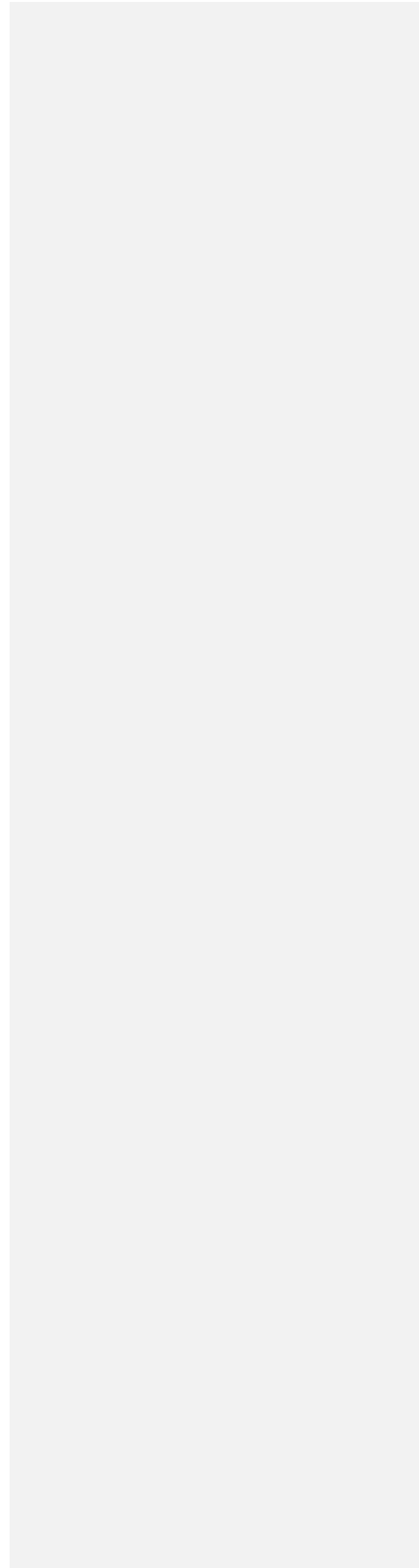


Fig 5 Inside view of the air quality System

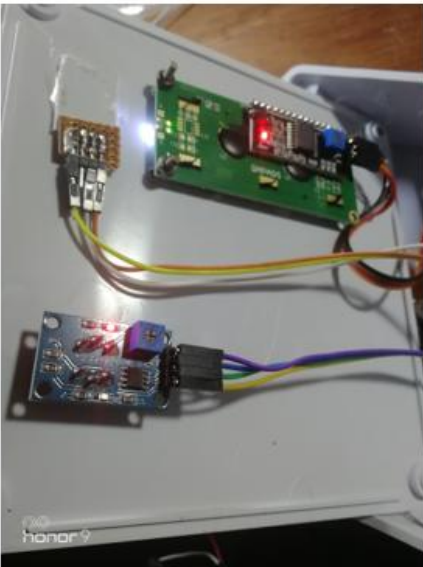


Fig 6 Inside view of air quality system

After the successful upload of the firmware, power was connected to the DC jack using external DC adaptor. The LCD screen turns-on, showing square boxes. This means that the system is initializing and trying to establish a connection with the Wi-Fi Network.



Fig 7 Initialization Screen of air quality monitoring system

On successful connection to the network, the system displays the temperature, relative humidity and air quality data as seen in the figures below.



Figure 8 Data of Temperature on LCD Screen



Fig 9 Data of relative humidity on LCD



Fig 10 Result screen of air quality monitoring system in ppm

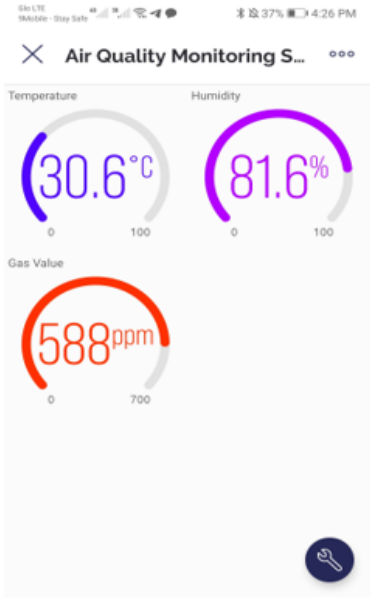


Fig 11 Data of temperature, relative humidity an air quality on mobile app

The displayed data seen on the LCD are also sent to a cloud server (Blynk) for access anywhere in the world.

Conclusion

A smart air quality monitoring system has been developed for the measurement of relative humidity, temperature and air quality. The designed system will be useful in monitoring air quality across Nigeria.

Comment [H18]: The results do not show the parameters of air quality. The author needs to show how this was achieved.

References

- [1] Mahajan, S. & Kumar, P. (2020). Evaluation of low-cost sensors for quantitative personal exposure monitoring. *Sustainable Cities and Society*, 57, 102076. <https://doi.org/10.1016/j.scs.2020.102076>.
- [2] Purwanto, P., Suryono, S., & Sunarno, S. (2019, September). Design of air quality monitoring system based on web using wireless sensor network. In *Journal of Physics: Conference Series* (Vol. 1295, No. 1, p. 012043). IOP Publishing.
- [3] Saini, J., Dutta, M., & Marques, G. (2020). A comprehensive review on indoor air quality monitoring systems for enhanced public health. *Sustainable environment research*, 30(1), 1-12.
- [4] Husein, N. A. A., Rahman, A.H.A. & Dahnil, D. P. (2019). Evaluation of LoRa-based Air Pollution Monitoring System. *International Journal of Advanced Computer Science and Applications*, 10(7):391-396. DOI 10.14569/ijacsa.2019.0100753.
- [5] Huh, H., & Kim, J.Y. (2019). LoRa-based Mesh Network for IoT Applications. In: *IEEE 5th World Forum on Internet of Things, (WF-IoT 2019)*. 524-527. DOI 10.1109/WF-IoT.2019.8767242.
- [6] Mahajan, S., Kumar, P., Pinto, J. A., Riccetti, A., Schaaf, K., Camprodon, G., ... Forino, G. (2020). A citizen science approach for enhancing public understanding of air pollution. *Sustainable Cities and Society*, 52, 101800. <https://doi.org/10.1016/j.scs.2019.101800>.
- [7] Saini, J., Dutta, M., & Marques, G. (2021). Sensors for indoor air quality monitoring and assessment through Internet of Things: a systematic review. *Environmental Monitoring and Assessment*, 193(2), 66.
- [8] Kuncoro, A. H., Mellyanawaty, M., Sambas, A., Maulama, D. S., Subtyanto & Mamat, M. (2020). Air Quality Monitoring System in the City of Tasikmalaya Based on the Internet of Things (IoT). *Journal of Advanced Research in Dynamical & Control Systems*, 12(2): 2473-2479. DOI: 10.5373/JARDCS/V12I2/S20201294.

[9] Mahajan, S., Luo, C., Wu, D. & Chen, L. (2021). From Do-It-Yourself (DIY) to Do-It-Together (DIT): Reflections on Designing a Citizen Driven Air Quality Monitoring Framework in Taiwan. *Sustainable Cities and Societies*, 66, 102628. <https://doi.org/10.1016/j.scs.2020.102628>.

[10] Barot, V., Kapadia, V. & Pandya, S. (2020). QoS Enabled IoT Based Low-Cost Air Quality Monitoring System with Power Consumption Optimization. *Cybernetics and Information Technologies*, 20(2): 122-140. DOI: 10.2478/cait2020-0021.

[11] Dineshkumar, T., Babu, V. S., Partheeban, P. & Puviarasi, R. (2021). Air quality monitoring system based on IoT. *Journal of Physics: Conference Series*, 1964(6): 062081. doi:10.1088/1742-6596/1964/6/062081.

[12] Mujawar, T. H., Bachuwar, V. D., & Suryavanshi, S. S. (2013). Air pollution monitoring system in Solapur city using wireless sensor network. *Proceedings published by International Journal of Computer Applications@IJCA, CCSN-2013 (1)*, 11-15.

[13] Ferreira, N., Sanchez, M. & Lopez, W. (2021). IoT Enabled Indoor Air Quality Monitoring System for Sustainable Health Management in an Industry Laboratory, a Case Study. *Proceedings of the International Conference on Industrial Engineering and Operations Management*. Monterrey, Mexico, November, 3-5, 2021, 1307-1314.

[14] Septian, B., Misbahuddin, M., & Arkan, F. (2022). Freertos Based Air Quality Monitoring System Using Secure Internet of Things. *Jurnal Teknik Informatika (JUTIF)*, 3(1), 147-153.

[16] Lapshina, P.D., Kurilova, S.P., & Belitsky, A.A. (2019). Development of an Arduino-based CO₂ Monitoring Device. 2019 IEEE Conference of Russian Young Researchers in Electrical and Electronic Engineering (EIConRus), 595-597. DOI: 10.1109/EIConRus.2019.8656915

[17] Kodali, R. K., Pathuri, S., & Rajnarayanan, S. C. (2020, January). Smart indoor air pollution monitoring station. In 2020 International Conference on Computer Communication and Informatics (ICCCI), 1-5. IEEE. DOI: 10.1109/ICCCI48352.2020.9104080

[18] Fathima, S. N. S., Jensi, J., Mubeena, M. J., Najiya, S., Asmin, M. K. & Shamma, A. R. (2020). IoT air quality monitoring system. *International Journal of Scientific & Engineering Research*, 11(9): 225-230.

[19] Mullick, A., Abd Rahman, A. H., Dahnil, D. P., & Noraini, N. M. R. (2022). Enhancing data transmission in duct air quality monitoring using mesh network strategy for LoRa. *PeerJ Computer Science*, 8, e939.

[20] Henry, S., Ahamefula, A. C., Ifedilichukwu, N. G. & Onum, A. S. (2019). Air Quality Index Assessment in some parts of Portharcourt. *International Journal of Environment and Pollution Research*, 7(4): 1-20.

Comment [H19]: These references are very good, recent and relevant. Though the authors should expose the actual gaps that were not addressed by these researchers and innovators.